

# LABO ★ K EFFECTS

## LANGEVIN AM 16 GAIN SELECTOR KIT



## CONTENTS

<b>INTRODUCTION</b>	<b>3</b>
<b>KIT OVERVIEW</b>	<b>4</b>
<b>ASSEMBLY INSTRUCTIONS</b>	<b>4</b>
<b>AM16 PAD BOARD PARTS LIST</b>	<b>5</b>
<b>AM16 PAD BOARD CONNECTOR PINOUT</b>	<b>5</b>
<b>AM16 PAD WIRING</b>	<b>6</b>
<b>AM16 PAD BOARD DIAGRAM</b>	<b>7</b>

## INTRODUCTION

This kit is used to perform the input attenuation and amplification gain for the AM 16 series preamps of the Langevin brand.

This card is providing the attenuation of the input signal, allowing the various microphones or line level devices to be adapted to the input sensitivity of the preamplifier.

A high-quality 6-position switch allows you to choose the preamp gain.

Gain scale is:

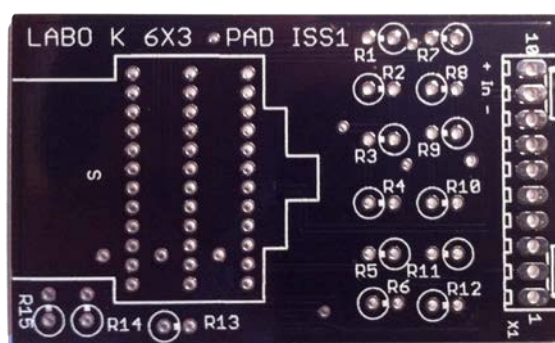
0dB, +10dB, +25dB, +35dB, +40dB +45dB.

LABO ★ K EFFECTS

## KIT OVERVIEW

### One double sided PCB plated pads to connect:

- 1 AM16 Preamp
- Un Mic input XLR (not included)





### Connector and components.

## ASSEMBLY INSTRUCTIONS

- 1) Solder the components on PCB.
- 2) Prepare the interconnection wires
- 3) Bind the board to the preamp.

## AM16 PAD BOARD PARTS LIST

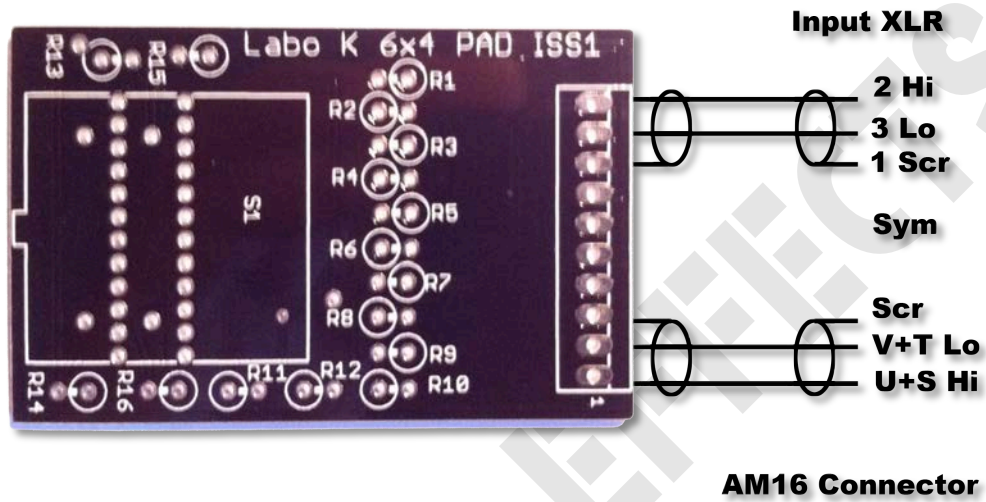
Connector 1      Molex 22-27-2101-10	
S1 Switch Grayhill 71-BDF-38-03-1	
<b>AM16 Version</b>	
R1, R7	316R
R2, R8	1K43
R3, R9	3K9
R4, R10	4K3
R5, R11	6K19
R6, R12	100R
R13	200R
R14	51R
R15	0R

*All resistors are 1/4w metal film 1%*

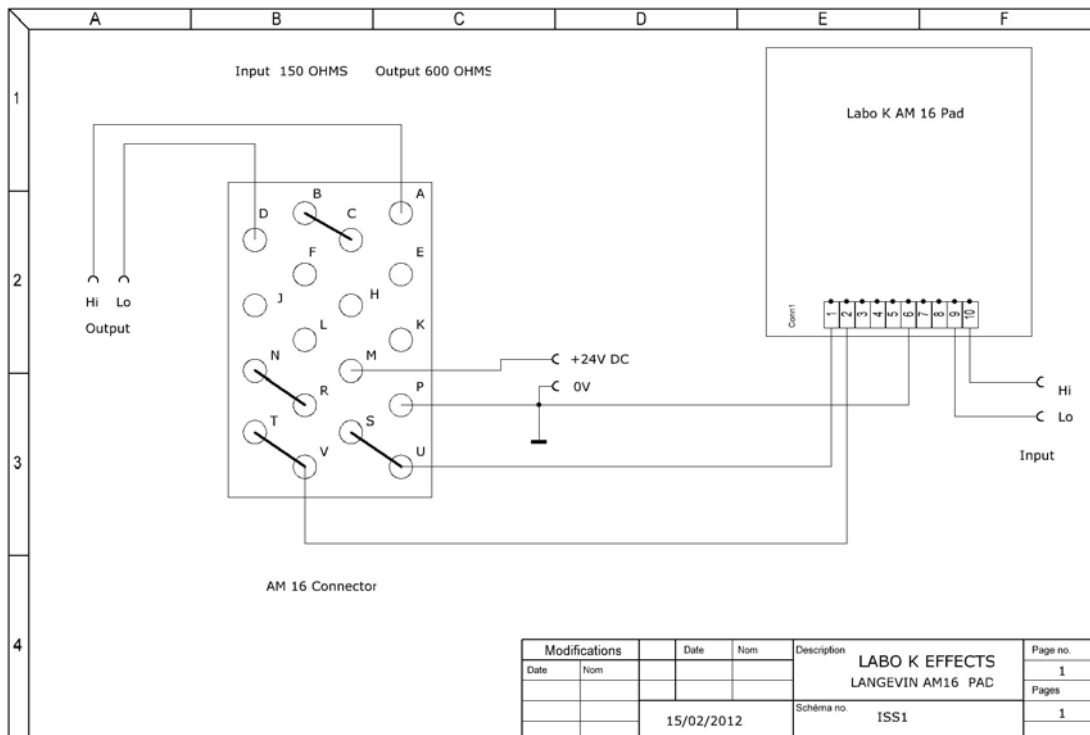
## AM16 PAD BOARD CONNECTOR PINOUT

<b>PL1</b>	
1	Output Hi
2	Output Lo
3	Output Screen
4	0V
5	Sym
6	0V
7	0V
8	Input Screen
9	Input Lo
10	Input Hi

## AM16 PAD WIRING



# AM16 PAD BOARD DIAGRAM



## Legal notice:

Labo★K Effect shall not be responsible and disclaims all liability for any damage (whether direct or consequential) that may result from a wrong use of the kit by the user.